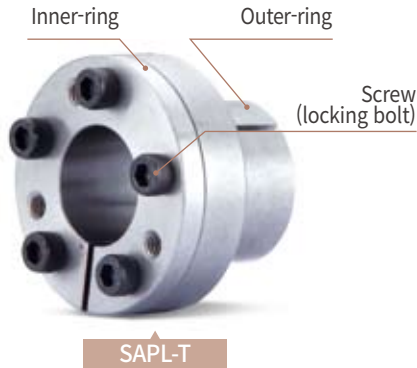


A.P. LOCK : SAPL-T SERIES



Structure and Material for SAPL-T Series

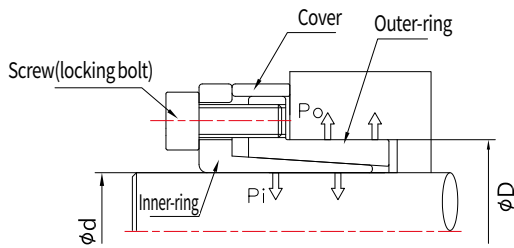
Model	Body (Inner-ring / Outer-ring)		Screw(locking bolt)	
	Material	Surface Treatment	Material	Surface Treatment
SAPL-T	STEEL	-	SCM435	Black Oxide

※ Please contact Sung-il Customer Service team for eletroless nickel plating surface treatment option for SAPL-T Series.

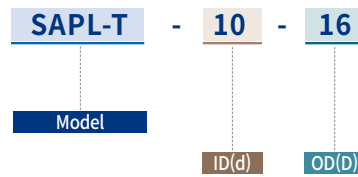
Product Features

- Designed to suit smaller and shorter hubs
- No movement while installed
- Self-centering function (prevention of slight off-center matters)
- Simple structure for easier installation & handier maintenance
- Recommended tolerance (Shaft's OD: h8, Hub's ID: H8)

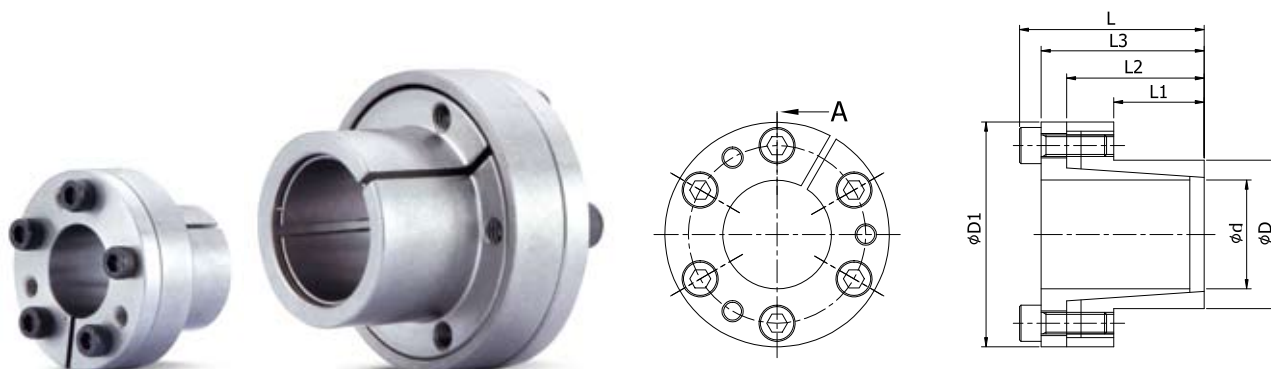
Principles



How to Order



SAPL-T SERIES : SAPL-T



Dimensions / Performance

Model d x D	Size ($\pm 0.3\text{mm}$)					Max. Permissible Torque(Tc) (N·m)	Max. Permissible Thrust Load(Pt) (kN)	Surface Pressure (Mpa)		screw(locking bolt)			Mass(g)
	L ₁	L ₂	L ₃	L	D ₁			Shaft(Pi)	Hub(Po)	Size	The no. of screws	Fastening Torque(N·m)	
SAPL-T-6 x 14	10	18.5	21	24	25	12	4	185	80	M3x8	3	2	40
SAPL-T-7 x 15	12	21	24	28	27	25	7	235	110	M4x10	3	5	60
SAPL-T-8 x 15	12	21	24	28	28	29	7	205	110	M4x10	4	5	50
SAPL-T-9 x 16	14	23	27	31	32	44	10	205	115	M4x12	4	5	60
SAPL-T-10 x 16	14	23	27	31	32	49	10	185	115	M4x12	4	5	60
SAPL-T-11 x 18	14	23	27	31	34	53	10	170	105	M4x12	4	5	70
SAPL-T-12 x 18	14	23	27	31	34	58	10	160	105	M4x12	4	5	70
SAPL-T-13 x 23	14	23	27	31	39	63	10	140	80	M4x12	4	5	110
SAPL-T-14 x 23	14	23	27	31	39	68	10	130	80	M4x12	4	17	100
SAPL-T-15 x 24	16	29	36	42	45	127	17	185	115	M6x18	3	17	220
SAPL-T-16 x 24	16	29	36	42	45	136	17	175	115	M6x18	3	17	220
SAPL-T-17 x 26	18	31	38	44	47	180	22	190	125	M6x18	4	17	250
SAPL-T-18 x 26	18	31	38	44	47	200	22	180	125	M6x18	4	17	240
SAPL-T-19 x 27	18	31	38	44	48	210	22	170	120	M6x18	4	17	260
SAPL-T-20 x 28	18	31	38	44	49	220	22	160	115	M6x18	4	17	270
SAPL-T-22 x 32	25	38	45	51	54	250	22	115	80	M6x18	4	17	340
SAPL-T-24 x 34	25	38	45	51	56	270	22	105	75	M6x18	4	17	360
SAPL-T-25 x 34	25	38	45	51	56	280	22	100	75	M6x18	4	17	350
SAPL-T-28 x 39	25	38	45	51	61	465	33	135	97	M6x18	5	17	480
SAPL-T-30 x 41	25	38	45	51	63	510	33	127	90	M6x18	6	17	480
SAPL-T-32 x 43	30	43	50	56	65	540	33	120	90	M6x18	6	17	470
SAPL-T-35 x 47	30	43	50	56	69	790	45	105	80	M6x18	8	17	580
SAPL-T-38 x 50	30	43	50	56	72	860	45	100	75	M6x18	8	17	610
SAPL-T-40 x 53	32	45	52	58	75	900	45	95	70	M6x18	9	17	680
SAPL-T-42 x 55	32	45	52	58	77	950	45	90	85	M6x18	9	17	760
SAPL-T-45 x 59	40	56	64	72	85	1890	84	110	80	M8x22	8	41	1200
SAPL-T-48 x 62	40	56	64	72	88	2010	84	105	75	M8x22	8	41	1200
SAPL-T-50 x 65	50	66	74	82	92	2100	84	100	65	M8x22	10	41	1400

- Pt(Max. Permissible Thrust Load) indicates values at the zero(0) torque, and Tc(Max. Permissible Torque) at the zero(0) thrust load respectively. In case torque and thrust load occur simultaneously, please refer to the formula in the [Selection guide] page for combined load calculation.
- For the best performance, make sure all foreign substances e.g. corrosion, dust etc. are removed from each surface of shaft, hub, and A.P. Lock's inner and outer ring.